



# Medical Filtration Solutions Ltd.

Company Registration Number: 8718303

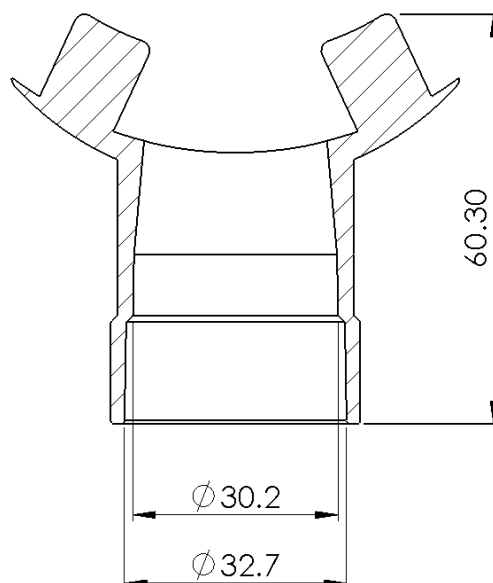
72 Roman Way Industrial Estate,  
Longridge Road,  
Preston,  
Lancashire.  
PR2 5BE  
Tel: 01772 790820  
Fax: 01772 797515

## TECHNICAL DATA SHEET

**Product Code - M02.3.008**

**Product Description – Bite Grip**

Material	TPE
Colour	White
Additional information	Single use. For usage during Spirometry / Pulmonary Lung Function Testing



Dimensions are approximate

MFS-TDS- 0029  
Date: 28-05-2015

QF: 7.3-18  
Rev: 2