



Medical Filtration Solutions Ltd.

Company Registration Number: 8718303

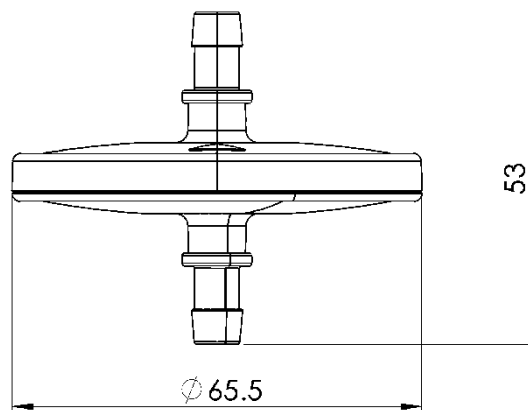
72 Roman Way Industrial Estate,
Longridge Road,
Preston,
Lancashire.
PR2 5BE
Tel: 01772 790820
Fax: 01772 797515

TECHNICAL DATA SHEET

Product Code - M03.1.003

Product Description – Suction Filter

Media	1 µm ePTFE Hydrophobic Membrane
Effective filtration area	24.9 cm ²
Bacterial Filtration Efficiency	99.9999%
Viral Filtration Efficiency	99.9999%
Water Entry Pressure (of media)	16 psi
Housing Material	Styrene – Transparent Blue
Connections	8mm barb tube fittings
Alternatives	Different connections and combinations available



Dimensions are approximate

MFS-TDS- 0033
Date: 15-06-2015

QF: 7.3-18
Rev: 2