



Medical Filtration Solutions Ltd.

Company Registration Number: 8718303

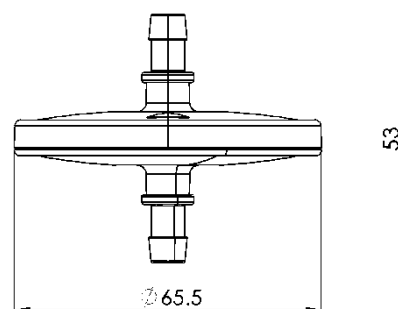
72 Roman Way Industrial Estate,
Longridge Road,
Preston,
Lancashire.
PR2 5BE
Tel: 01772 790820
Fax: 01772 797515

TECHNICAL DATA SHEET

Product Code - M06.1.001

Product Description – Surgical Smoke Filter

Filtration Media	ULPA disc– Particulate filtration media Activated carbon disc – Odour removal media
Effective filtration area	24.9 cm ²
Bacterial Filtration Efficiency	>99.9999%
Viral Filtration Efficiency	>99.9999%
Water Repellency (of media)	28" H ₂ O
Housing Material	Styrene – Transparent
Connections	8mm barb tube fittings (other connections available)
Benefits of use	Using diathermy smoke extraction & associated filters can: Improve the surgeon's view of the operational area. Prevent irritant smoke from affecting theatre staff. Reduce nuisance odour within the theatre environment.
Additional information	<i>Evidence for exposure and harmful effects of diathermy plumes (surgical smoke), evidence based literature review. Prepared by the Health and Safety Laboratory for the Health and Safety Executive 2012.</i>



Dimensions are approximate

Date: 15-01-2016
Rev: 1

QF: 7.3-18
Rev: 2